

**Silk primitive without silk layer**

Silk To Board Region Clearance (Out of silkscreen region) : Text "" (350.001mil,-4402mil) Top Overlay **See note 1 below.**

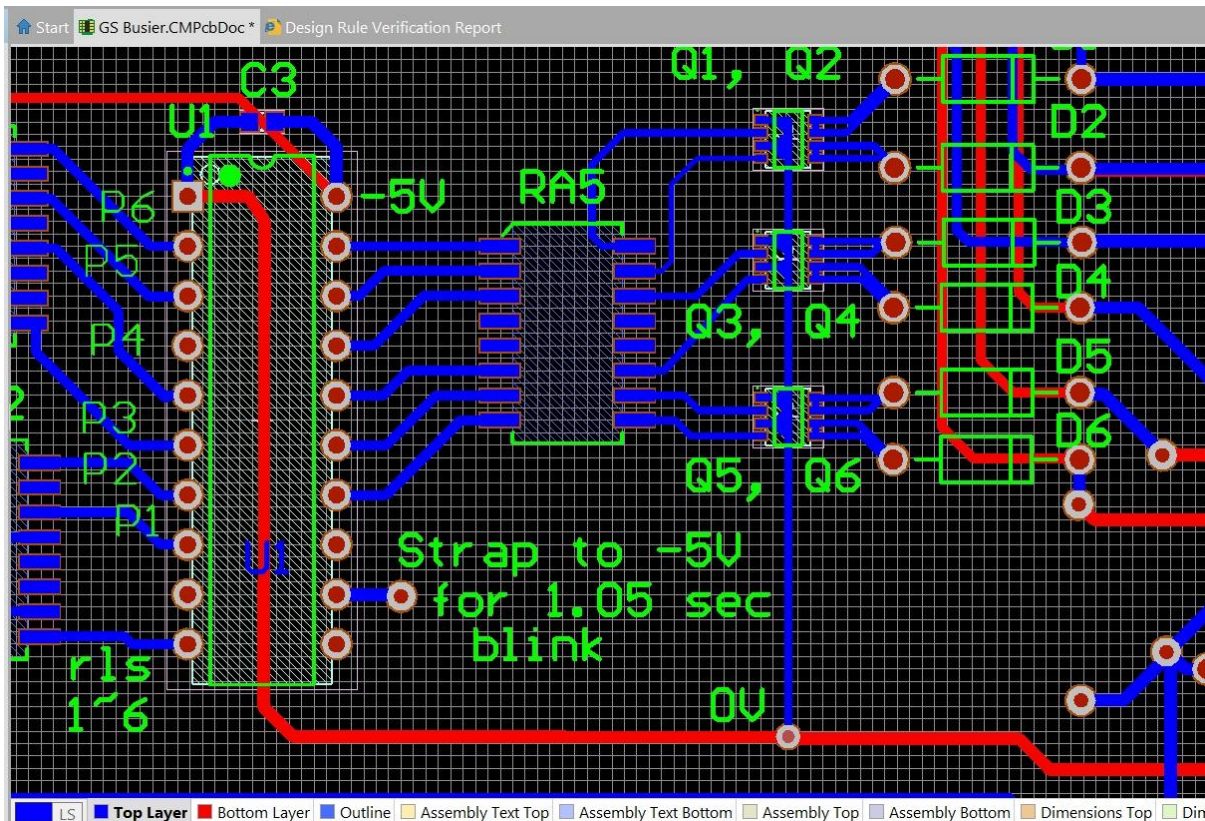
[Back to top](#)

**Minimum Solder Mask Sliver (Gap=10mil) (All),(All)**

<a href="#">Pad C2-1(3975.5mil,476.02mil) Top Layer</a>	<a href="#">Pad C2-2(3924.319mil,476.02mil) Top Layer</a>
<a href="#">Pad -1(520.001mil,-3814.41mil) Top Layer</a>	<a href="#">Pad -2(520.001mil,-3865.591mil) Top Layer</a>
<a href="#">Pad Q3, Q4-6(2735.118mil,2594.205mil) Top Layer</a>	<a href="#">Pad Q3, Q4-5(2735.118mil,2568.615mil) Top Layer</a>
<a href="#">Pad Q3, Q4-7(2735.118mil,2619.796mil) Top Layer</a>	<a href="#">Pad Q3, Q4-6(2735.118mil,2594.205mil) Top Layer</a>
<a href="#">Pad Q3, Q4-8(2735.118mil,2645.386mil) Top Layer</a>	<a href="#">Pad Q3, Q4-7(2735.118mil,2619.796mil) Top Layer</a>
<a href="#">Pad Q3, Q4-3(2624.882mil,2594.205mil) Top Layer</a>	<a href="#">Pad Q3, Q4-4(2624.882mil,2568.615mil) Top Layer</a>
<a href="#">Pad Q3, Q4-2(2624.882mil,2619.796mil) Top Layer</a>	<a href="#">Pad Q3, Q4-3(2624.882mil,2594.205mil) Top Layer</a>
<a href="#">Pad Q3, Q4-1(2624.882mil,2645.386mil) Top Layer</a>	<a href="#">Pad Q3, Q4-2(2624.882mil,2619.796mil) Top Layer</a>
<a href="#">Pad -6(2735.118mil,2909.245mil) Top Layer</a>	<a href="#">Pad -5(2735.118mil,2883.654mil) Top Layer</a>

**See Solder Sliver. jpg**  
**What does Solder Mask Sliver mean?**  
**How do I make the mask visible?**

**Note 1:- this is off the screen. I can't go down to -4402 mil.**  
**This occured when I used the Space Bar to rotate a component & it went off screen.**  
**The Net lines were converging towards where it is but did not reach it.**  
**That's why it is "out of silkscreen region.**  
**So I can't see how to delete it. Can I ignore this item?**



This does not show the Solder Mask & I don't know how to make it visible.